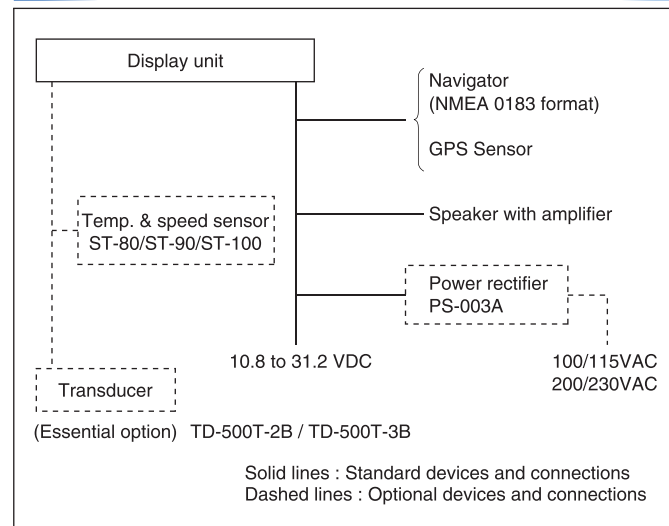


SPECIFICATIONS

Model	CVS-126
Output power	600 W
Display size/type	5.7 inch color TFT LCD
Display resolution	240 x 320 pixels
Presentation colors	64 colors / 16 colors / 8 colors / Monochrome + background color (blue, dark blue, black, white, Nighttime color, 5 other colors)
Language	Chinese, English, French, Greek, Italian, Japanese, Korean, Spanish, Thai
Output frequency	Dual 50/200 kHz
Depth ranges	0 to 800 (Meters / Fathom / Italian Fathom), 0 to 2800 (Feet). Choice of 8 ranges with 36 selectable depths in each range.
Zoom ranges	2.5 to 200 (Meter / Fathom / Italian Fathom) 26 steps 10 to 650 (Feet) 26 steps
Image shift	Auto or Manual 0 to 300 (Meter / Fathoms / Italian Fathom) or 0 to 1000 (Feet)
Presentation modes	High frequency, Low frequency, Zoom image (Bottom lock, Bottom discrimination, Bottom zoom, Zoom, Sea bottom partial zoom Nav mode) A-scope display can be added to all above modes Left and right divided
Alarms	Bottom / Fish alarm, Depth alarm, Temperature alarm, Speed alarm*, Arrival alarm**, XTE alarm**
Image speed	9 steps & stop
Auto functions	Depth range, Shift and Gain
Distance unit	m, fm, l. fm, ft
Input data format	NMEA0183 (GGA, GLL, ZDA, VTG, RMC, MTW, VHW, MWV, HDT)
Output data format	NMEA0183 (DBT, DPT, GGA, GLL, MTW, RMC, TLL, VHW, VTG, ZDA, HDT, MWV)
NMEA input/output ports	1
Other functions	Interference rejection, Color rejection, Depth marker (VRM), Event memory, Panel illumination Draft adjustment, Temperature correct, Boat speed correct, White line Sona-Tone, Display memory, Waypoint navigation, Power reduction
Power supply	10.8 to 31.2 VDC
Power consumption	10W or less (at 12VDC)
Water protection	IPX5
Operating temperature	-15°C to +55°C

*Requires speed data from speed sensor or GPS sensor,
**Requires position data from GPS sensor

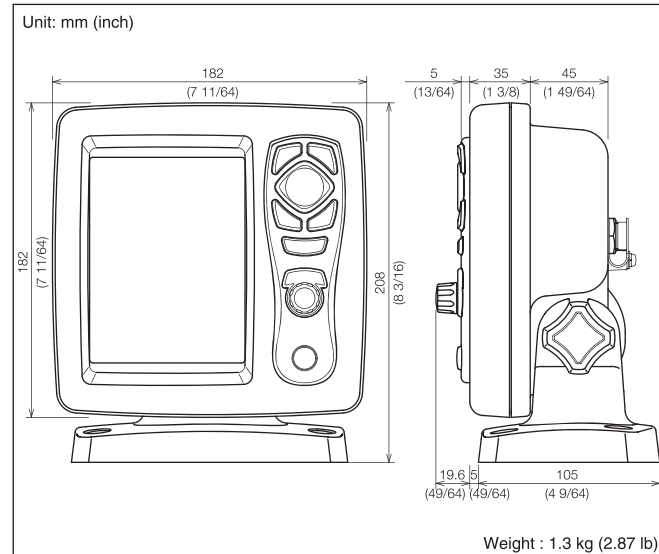
CONNECTIONS



EQUIPMENT LIST

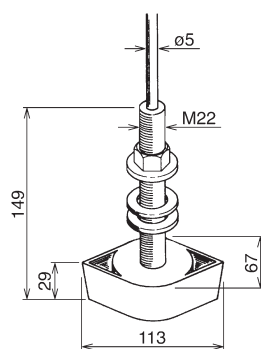
Standard equipment	Display unit with hard cover, Mounting bracket	1 set
	DC power cable, Installation material, Spare parts, Accessories and Operation manual	1 set
Essential option	Transducer	
Options	Temp. & speed sensor, Connection cables for external devices, Inner-hull kit, Power rectifier, AC Power cable	

DIMENSIONS AND WEIGHT

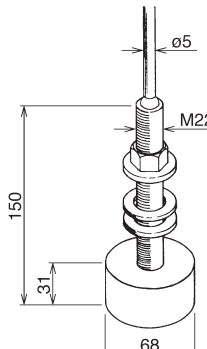


Transducer

TD-500T-3B (Thru-hull)



TD-500T-2B (Inner-hull)



* Thru-hull transducer is recommended to get the best performance of CVS-126.

• Design and specifications are subject to change without notice.

KODEN Koden Electronics Co., Ltd.

Tamagawa Office:
2-13-24 Tamagawa, Ota-ku, Tokyo, 146-0095 Japan
Tel: +81-3-3756-6501 Fax: +81-3-3756-6509
Uenohara Office:
5278 Uenohara, Uenohara-shi, Yamanashi, 409-0112 Japan
Tel: +81-554-20-5860 Fax: +81-554-20-5875

overseas@koden-electronics.co.jp

www.koden-electronics.co.jp



Safety precaution

To ensure proper and safe use of the equipment, please carefully read and follow the instructions in the Operation Manual.

For details, please contact:

Agenzia
ufficiale per
l'Italia :

Apel
mar
Technology S.r.l.

Telefono 010 870058 r.a.
Telefax 010 870248
e-mail: apelmar@koden.it
http://www.koden.it

Digital

5.7-inch Color LCD
Echo Sounder

CVS-126
600W • 50/200kHz

KODEN

Digital Meets
Echo Sounder

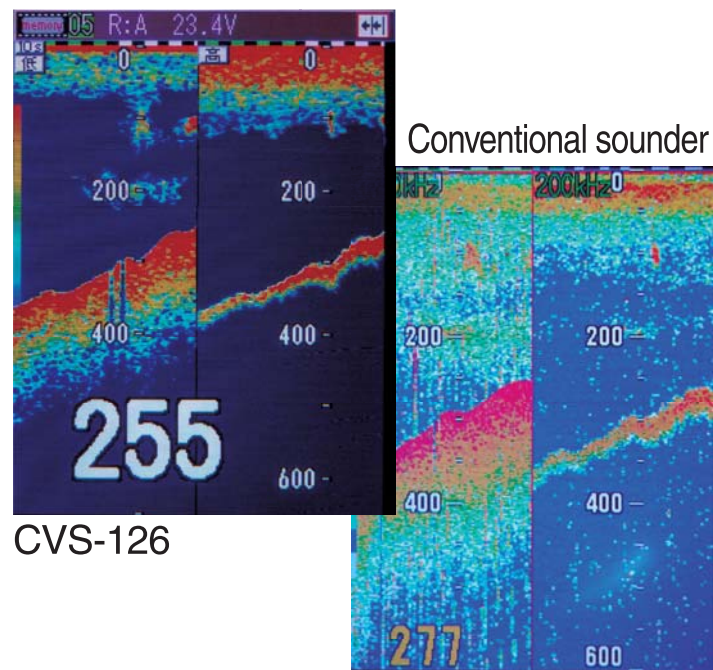
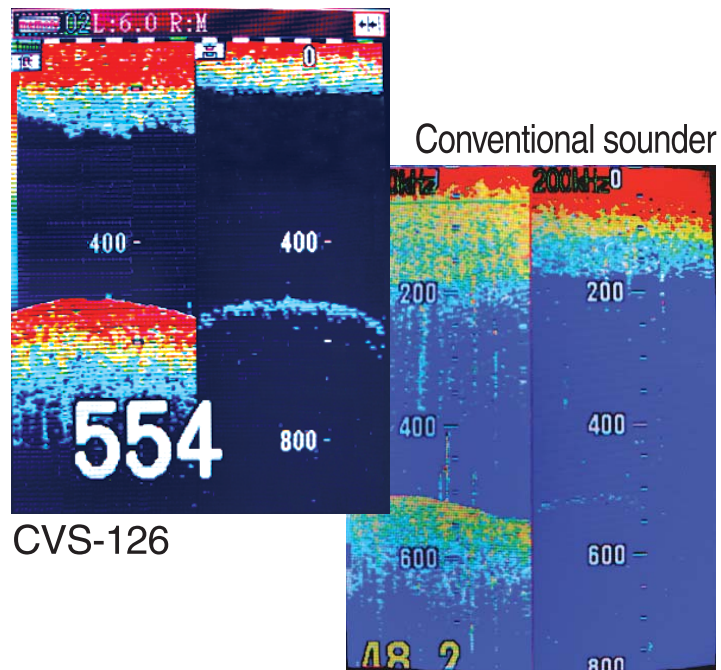


CVS-126 Digital Echo Sounder, the Clear Choice



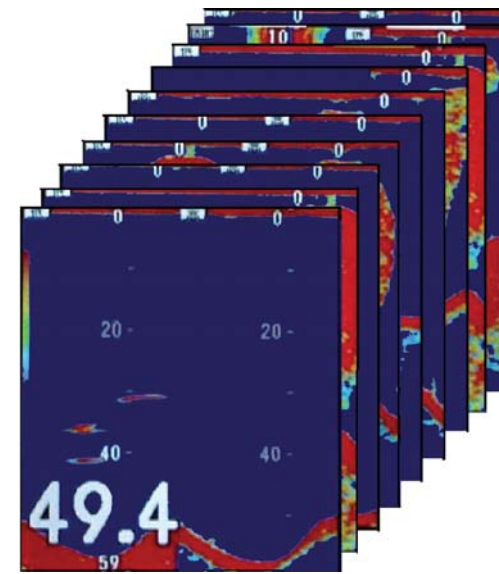
Digital

- ▶ Kodon's state-of-the-art digital signal processor offers advanced filtering capabilities. The Kodon Digital Filtering (KDF) feature eliminates clutter by filtering out the noise to provide a clear detailed image that enhances fish targets in shallow and deep depths. Making it easy to differentiate between baitfish, larger fish, schools of fish and the sea floor.



Store Image

- ▶ Stores up to 10 screen images in built-in memory for recalling later by "one-touch".

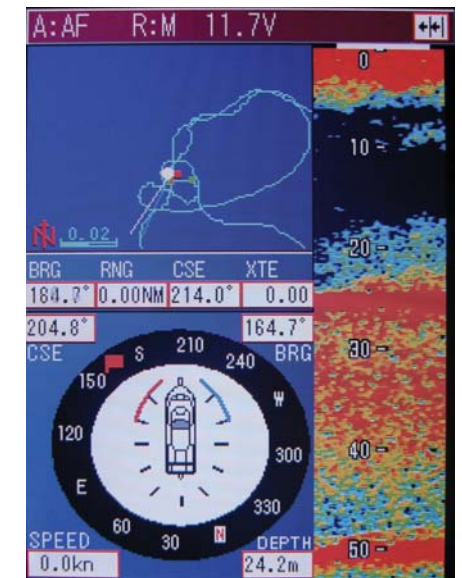


- ▶ Great for recalling a potential hot spot for review later.

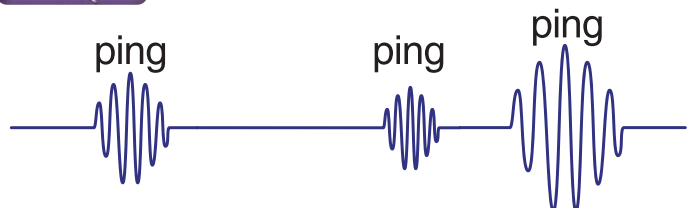


Fishing Hot Spot

- ▶ Leads you back to your favorite fishing hot spots or other previously saved positions in memory with input from optional GPS sensor.



Sona-Tone



- ▶ Exclusive Sona-Tone identifies what's under your boat with different sounds for fish and schools of fish. So you will not miss any good opportunities even if you are away from the CVS-126.



Easy Operation

- ▶ Simply arranged keypad, knob and comprehensive on-screen menus give easy access to all system functions.



Auto Function

- ▶ For best performance the Auto function mode chooses the most reliable setting for such functions as Gain, Range, and Shift.



Sunlight Viewable

- ▶ Brilliant 5.7" color LCD display with 8, 16 or 64 color levels and an anti-reflective coating for excellent readability in direct sunlight.

